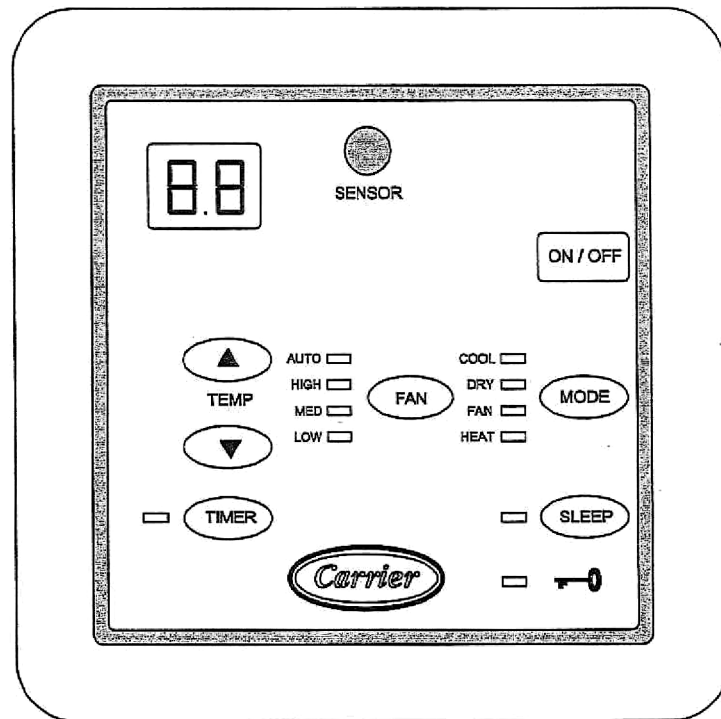
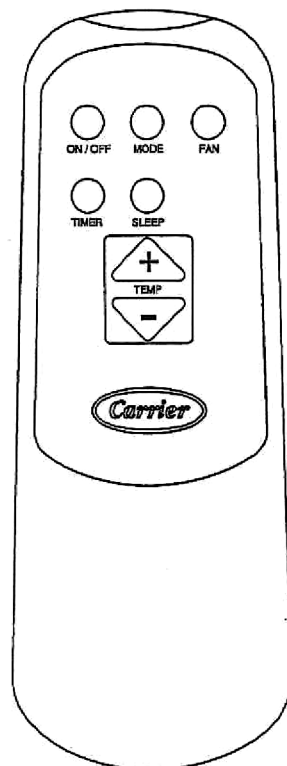


## Display Board



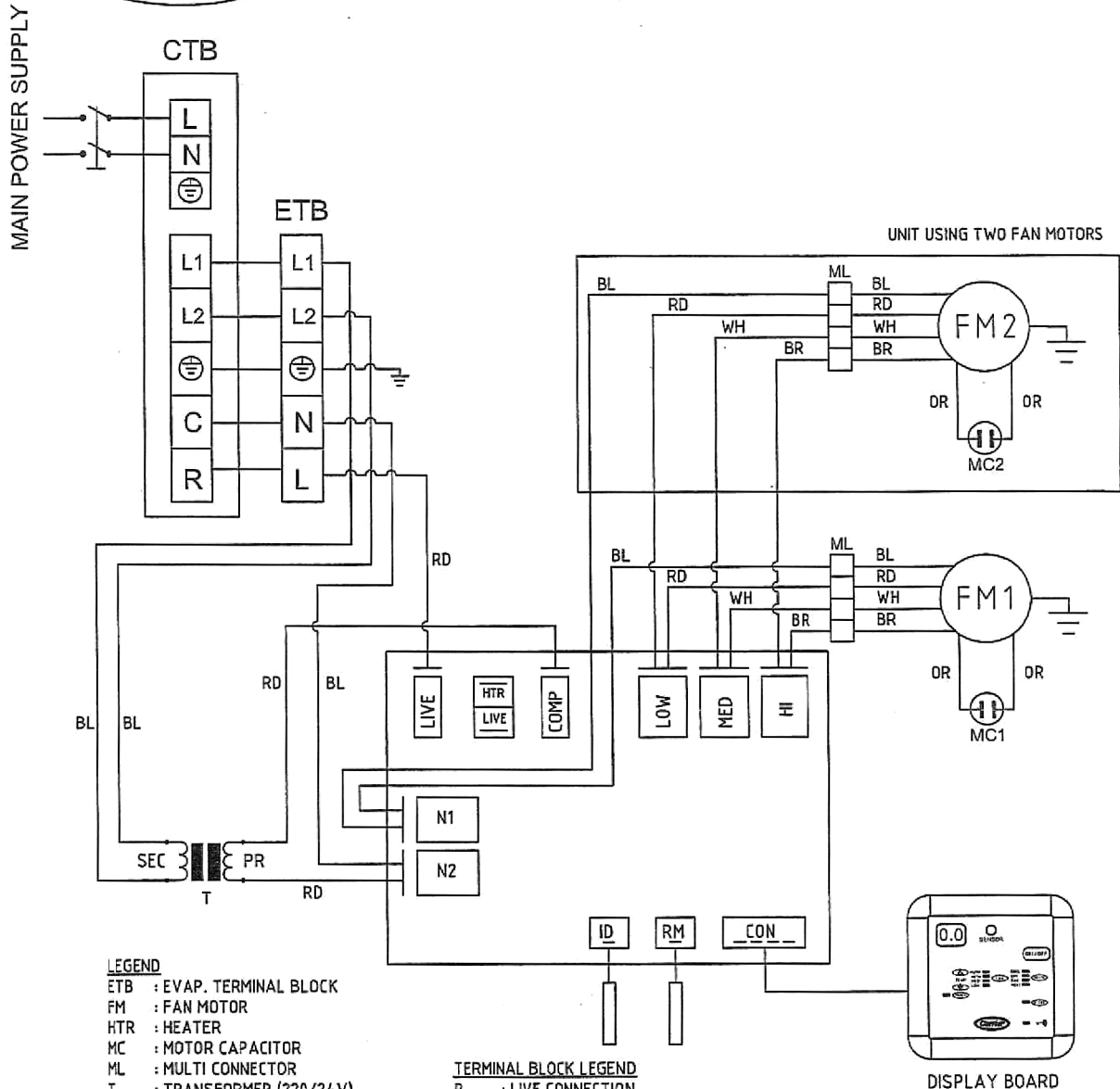
## Remote Control Handset



# Typical Wiring Schematic



## WIRING DIAGRAM INDOOR UNIT 42TX COOL



### LEGEND

ETB : EVAP. TERMINAL BLOCK  
 FM : FAN MOTOR  
 HTR : HEATER  
 MC : MOTOR CAPACITOR  
 ML : MULTI CONNECTOR  
 T : TRANSFORMER (220/24V)  
 RM : ROOM SENSOR  
 ID : INDOOR COIL SENSOR  
 F : FUSE  
 ART : AUTO RESET THERMOSTAT  
 CTB : COND. TERMINAL BLOCK

### TERMINAL BLOCK LEGEND

R : LIVE CONNECTION  
 C : NEUTRAL CONNECTION  
 L1 & L2 : OUT DOOR UNIT CONTROL (24 VOLTS)  
 L : LIVE CONNECTION  
 N : NEUTRAL CONNECTION

### WIRE COLORS

WH : WHITE      BL : BLUE  
 OR : ORANGE    BR : BROWN  
 BK : BLACK      RD : RED

### NOTE:

-- DASHED WIRING TO BE FITTED BY FIELD INSTALLER  
 .... DOTTED WIRING FOR UNITS HAVING 2 MOTORS

DISPLAY BOARD